

Circuit Diagram

**Finisher, Sorter, Delivery Tray
Puncher Unit-N1**

Canon

IMPORTANT

This documentation is published by Canon Inc., Japan, to serve as a source of reference for work in the field.

Specifications and other information contained herein may vary slightly from actual machine values or those found in advertising and other printed matter.

Any questions regarding the information contained herein should be directed to the Copier Service Department of the Sales Company.

This documentation is intended for all sales areas, and may contain information not applicable to certain areas.

Reproduction without permission not allowed.

Use of this manual should be strictly supervised to avoid disclosure of confidential information.

COPYRIGHT 2001 CANON INC.

Printed in Japan

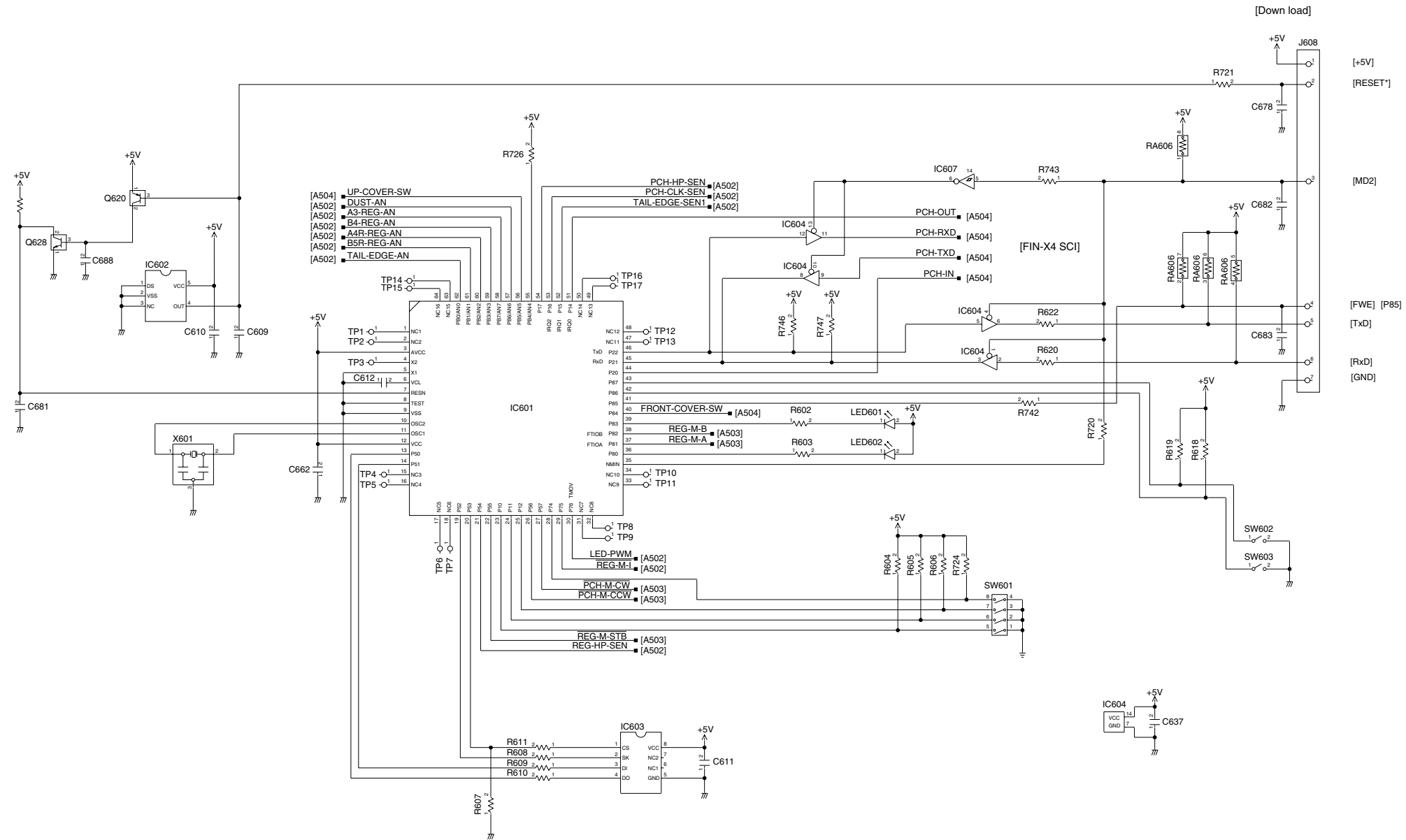
Caution

Use of this manual should be strictly supervised to avoid disclosure of confidential information.

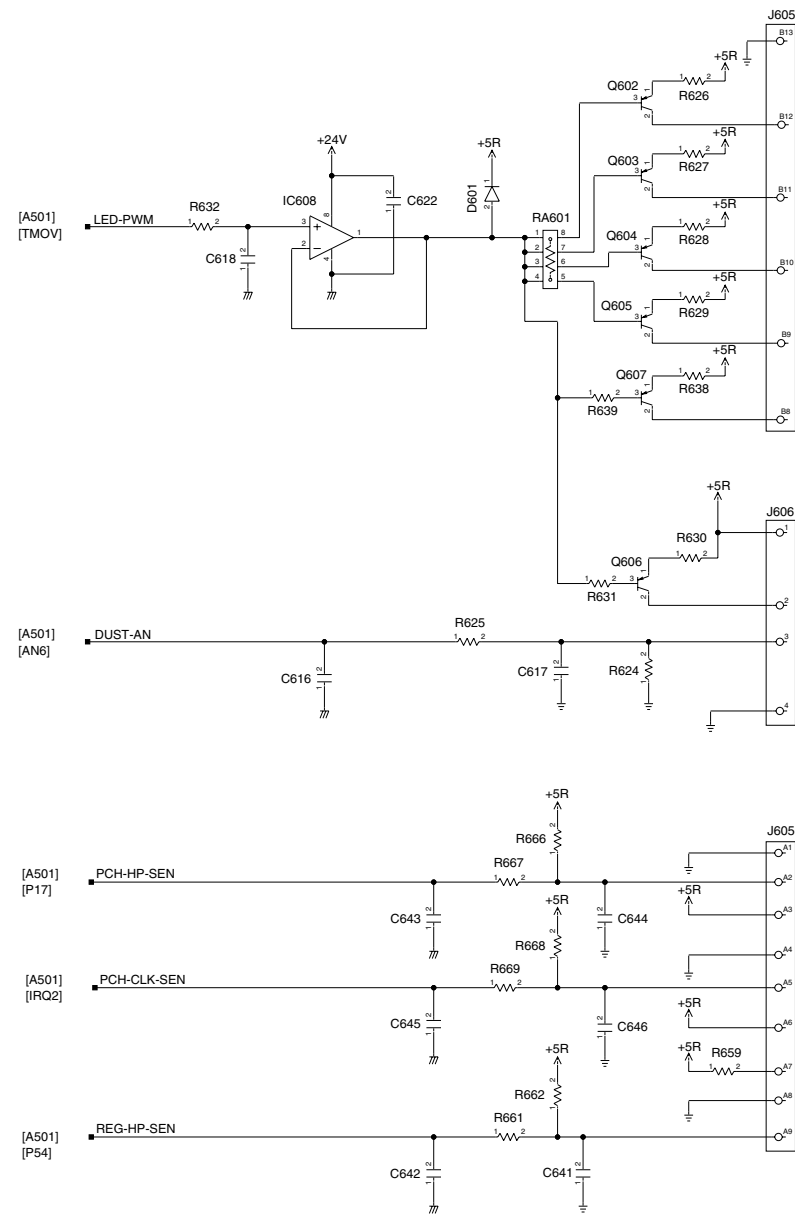
Contents

| | |
|-----------------------------------|---|
| 1 Punch Controller PCB | 1 |
| Punch Controller PCB (A501) | 1 |
| Punch Controller PCB (A502) | 2 |
| Punch Controller PCB (A503) | 3 |
| Punch Controller PCB (A504) | 4 |
| 2 Scrap Full Detector PCB | 5 |
| Scrap Full Detector PCB | 5 |
| 3 LED PCB..... | 7 |
| LED PCB..... | 7 |
| 4 Photosensor PCB..... | 9 |
| Photosensor PCB..... | 9 |

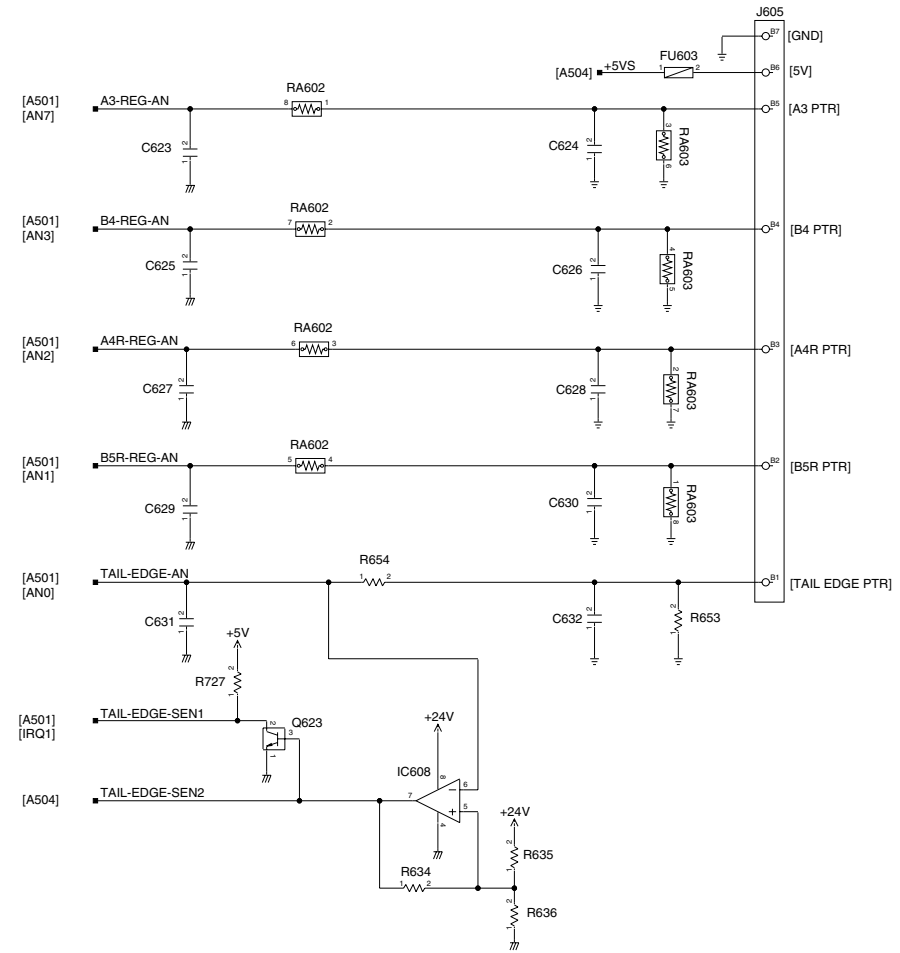
1 Punch Controller PCB
Punch Controller PCB (A501)



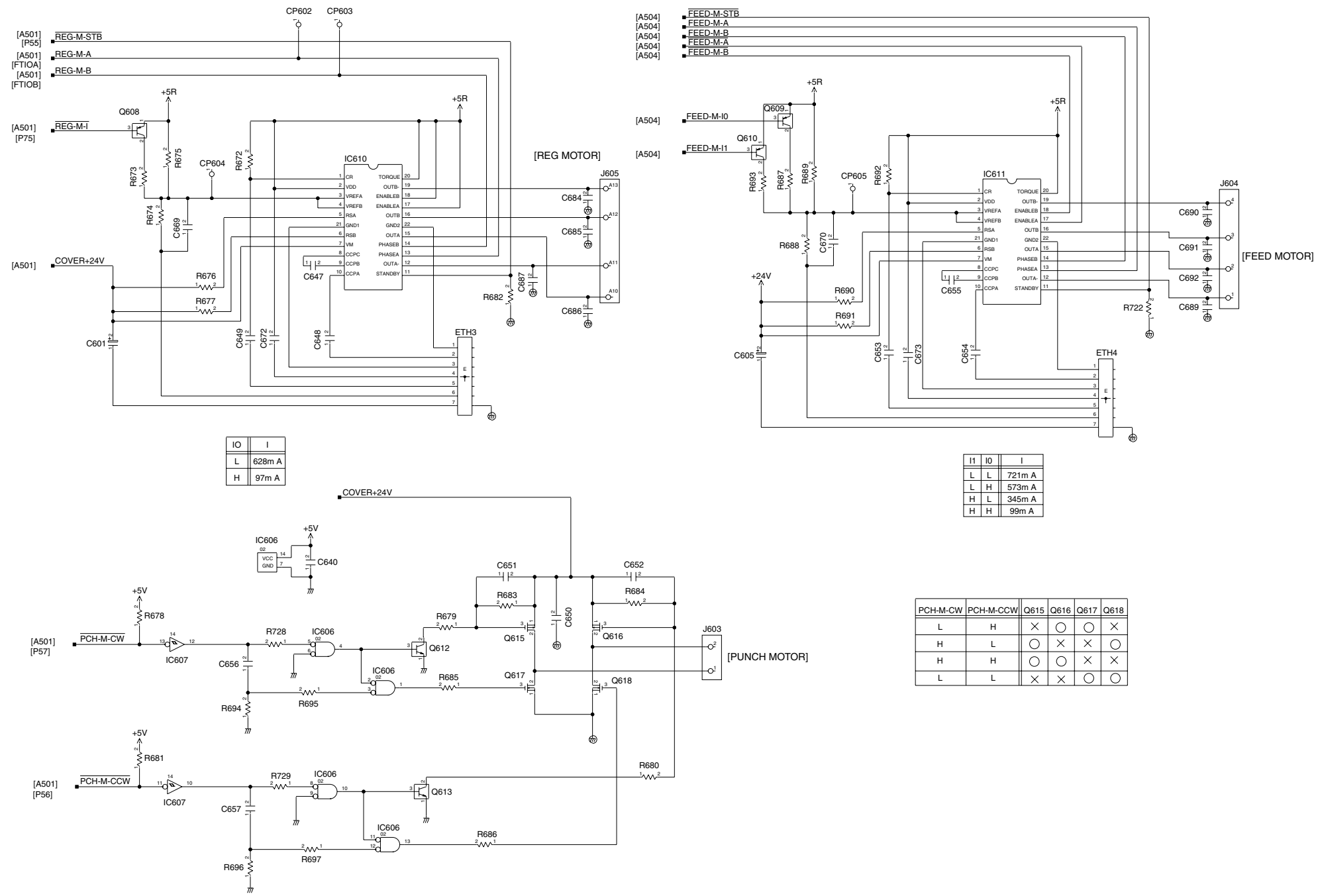
F-1-1



[A3 LED]
[B4 LED]
[A4R LED]
[B5R LED]
[TAIL EDGE LED]
[DUST LED]
[DUST SENS]



[Punch HP SEN]
[Punch CLK SEN]
[REG HP SEN]

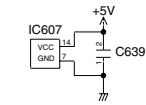
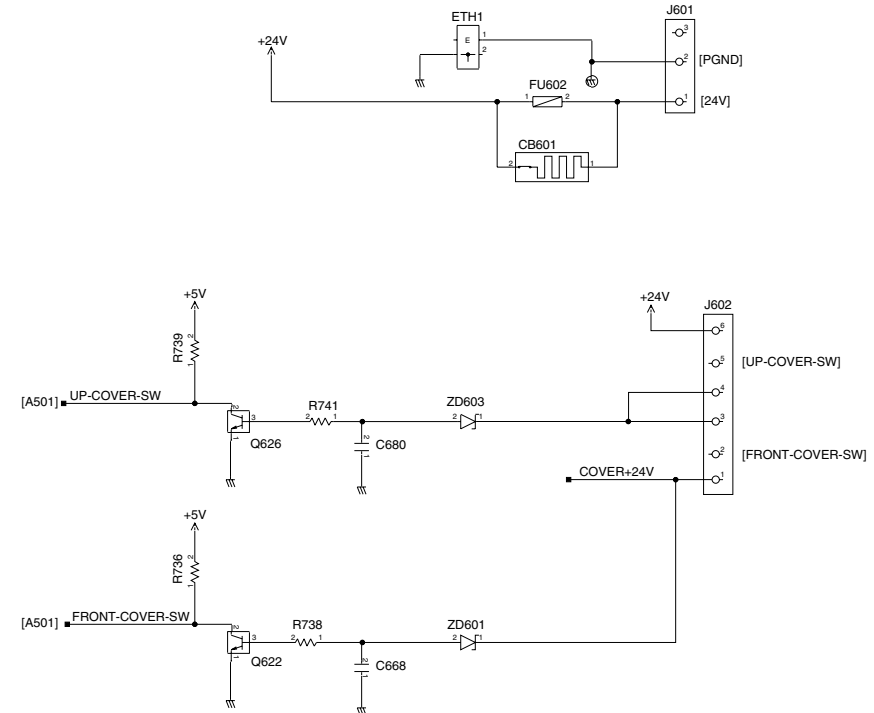
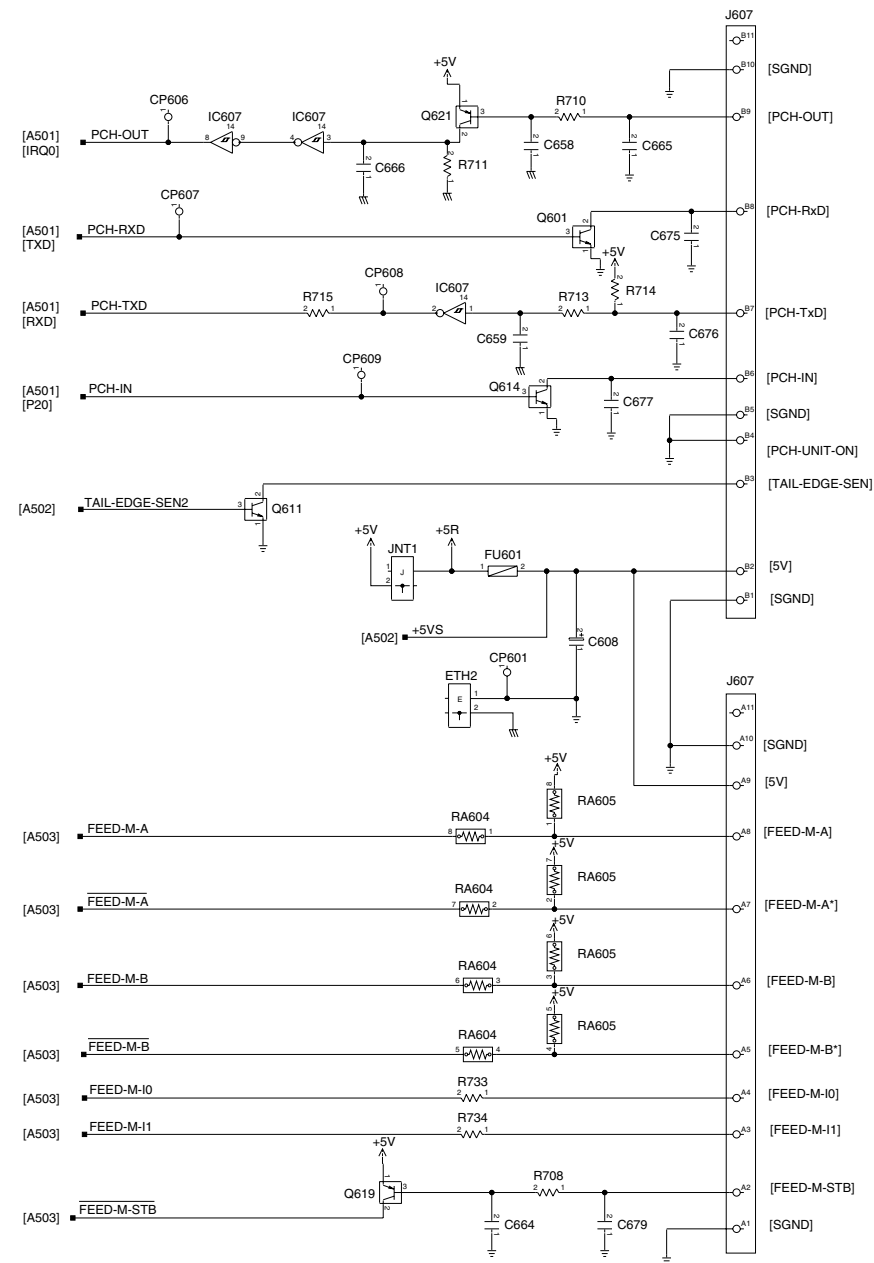


| IO | I |
|----|--------|
| L | 628m A |
| H | 97m A |

| I1 | I0 | I |
|----|----|--------|
| L | L | 721m A |
| L | H | 573m A |
| H | L | 345m A |
| H | H | 99m A |

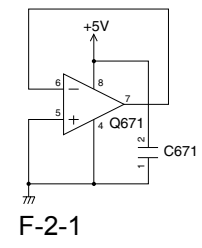
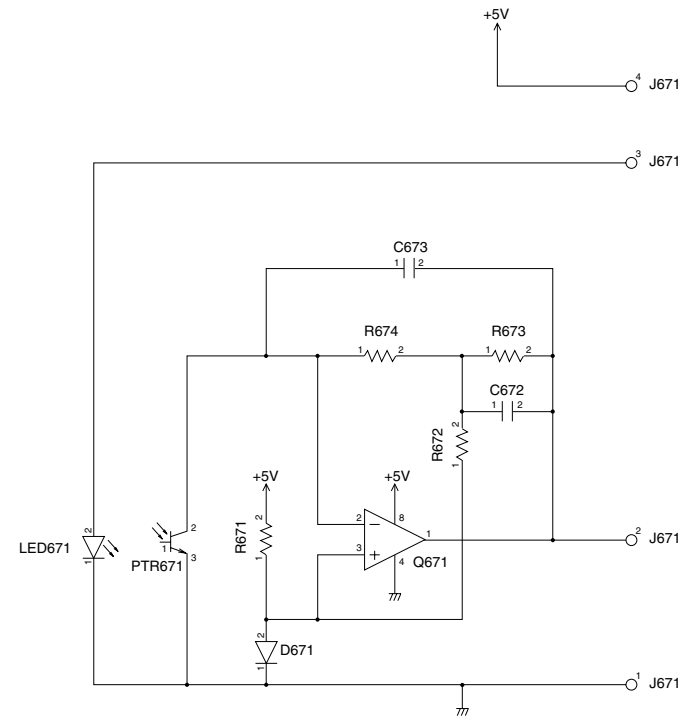
| PCH-M-CW | PCH-M-CCW | Q615 | Q616 | Q617 | Q618 |
|----------|-----------|------|------|------|------|
| L | H | × | ○ | ○ | × |
| H | L | ○ | × | × | ○ |
| H | H | ○ | ○ | × | × |
| L | L | × | × | ○ | ○ |

F-1-3

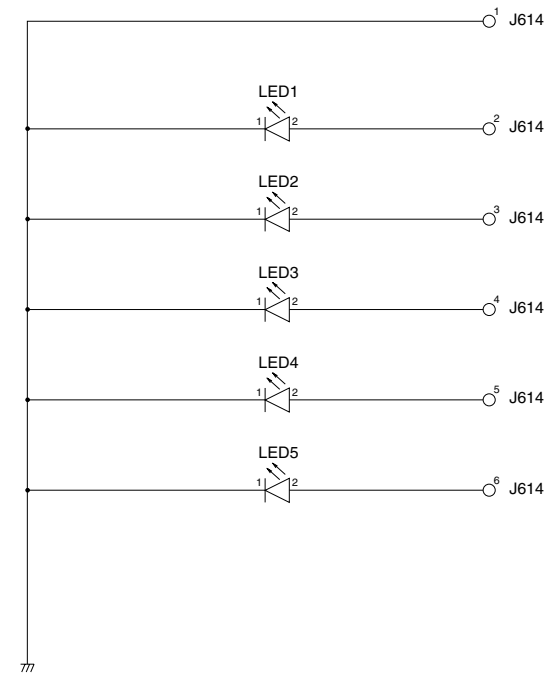


F-1-4

2 Scrap Full Detector PCB
Scrap Full Detector PCB



3 LED PCB
LED PCB



F-3-1

Nov 13 2003

Canon

